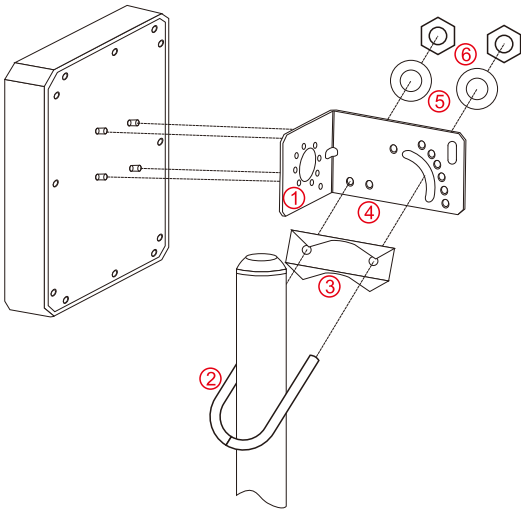


UHF9-9R2P UHF Reader User Manual

Packing List

- 1, Reader 1 Unit 2, User Manual 1 pcs 3, L bracket: 1pcs, U hoop:2pcs, Pannel 2pcs 4, 9VDC3A Power Supply 1Unit

Installation:(Unit:mm)



◇Remove the reader nut and metal shim, fix the reader on L bracket,locked the nut after put the metal shim well. Follow to the setp1.

◇Use U bracket,fixing the L bracket to the pole of 60mm , operation following 2,3,4,5,6.

◇The buzzer of long range reader will beep after power on, and the LED will flash 1 times.

Size: 260*260*45MM

Connection Line Definition

No.	Color	Function	Pin Specification
1	Red	+9VDC	9VDC Power
2	Yellow	GND	

No.	Color	Function	Pin Specification
1	Black-White	GND	GND
2	Gray	Trigger	Shortcut GND for trigger reader
3	Light Pink	RS485A+	RS485
4	Purple	RS485B-	
5	Green	WG-D0	WG Signal
6	Blue	WG-D1	
7	Brown	TXD (RS232)	RS232
8	White	RXD (RS232)	
9	Black	GND	GND
10	Orange	Relay-NO	Reserve
11	Light Blue	Relay-COM	

Function Advange

Safety	With Encryption Function, Safe And Copy-Proof
Reading Type	Single Tag/Multi-Tag For Selection
Output Interface	Wigand 26/34,RS232/RS485,TCP/IP(Reserved)
Trigger Type	Loop Trigger Function
Card ID Output Type	Encryption mode: Read the TID and then read the EPC and pass the verification calculation. If the EPC is not correct, the card number will not be output (read the TID and write the EPC through the reader inside the card/tag)
	EPC Only
	Normal Type
Card Reading Angle	Circular polarization antenna, 180 degree card reading
Relay Output	with Relay Output Function
LED Indicator	LED Indicator when Reading Tag
Parameter	JUTAI UHF Reader powr consumption, reading interval,frequency , The single/multi-label anti-reread mode can be set through the serial port/network port

Frequency Setting

National standard	920-925MHZ
	840-845MHZ
FCC	902-928MHZ
ETSI	866-868MHZ
JP	916.8-920.4MHZ
TW	922.25-927.75MHZ
ID	923.125-925.125MHZ
RUS	866.6-867.4MHZ