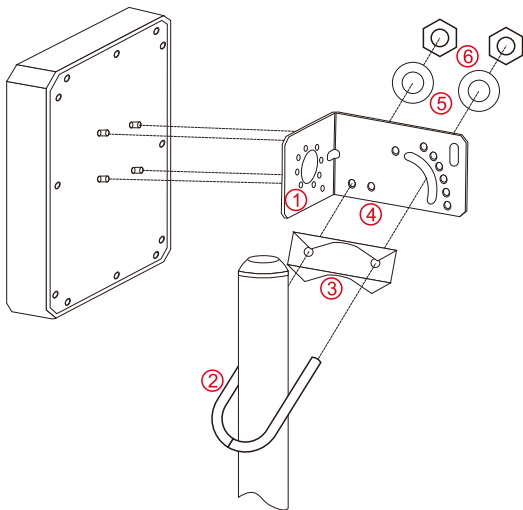


UHF12-8/9R2P UHF Reader User Manual

Packing List

| | | | |
|---------------------|-------------------------|--|---------------------------------|
| 1, Reader 1 Unit | 2, User Manual 1 pcs | 3, L bracket: 1pcs, U hoop: 2pcs, Pannel 2pcs | 4, 9VDC3A Power Supply 1Unit |
|---------------------|-------------------------|--|---------------------------------|

Installation: (Unit:mm)



Size: 450*450*40MM

◇Remove the reader nut and metal shim, fix the reader on L bracket, locked the nut after put the metal shim well. Follow to the setp1.

◇Use U bracket, fixing the L bracket to the pole of 60mm , operation following 2,3,4,5,6.

◇The buzzer of long range reader will beep after power on, and the LED will flash 1 times.

Connection Line Definition

| No. | Color | Function | Pin Specification |
|-----|--------|----------|-------------------|
| 1 | Red | +9VDC | 9VDC Power |
| 2 | Yellow | GND | |

| No. | Color | Function | Pin Specification |
|-----|-------------|-------------|---------------------------------|
| 1 | Black-White | GND | GND |
| 2 | Gray | Trigger | Shortcut GND for trigger reader |
| 3 | Light Pink | RS485A+ | RS485 |
| 4 | Purple | RS485B- | |
| 5 | Green | WG-D0 | WG Signal |
| 6 | Blue | WG-D1 | |
| 7 | Brown | TXD (RS232) | RS232 |
| 8 | White | RXD (RS232) | |
| 9 | Black | GND | GND |
| 10 | Orange | Relay-NO | Reserve |
| 11 | Light Blue | Relay-COM | |

Function Advange

| | |
|---------------------|--|
| Safety | With Encryption Function, Safe And Copy-Proof |
| Reading Type | Single Tag/Multi-Tag For Selection |
| Output Interface | Wigand 26/34,RS232/RS485,TCP/IP(Reserved) |
| Trigger Type | Loop Trigger Function |
| Card ID Output Type | Encryption mode: Read the TID and then read the EPC and pass the verification calculation. If the EPC is not correct, the card number will not be output (read the TID and write the EPC through the reader inside the card/tag) |
| | EPC Only |
| | Normal Type |
| Card Reading Angle | Circular polarization antenna, 180 degree card reading |
| Relay Output | with Relay Output Function |
| LED Indicator | LED Indicator when Reading Tag |
| Parameter | JUTAI UHF Reader powr consumption, reading interval,frequency , The single/multi-label anti-reread mode can be set through the serial port/network port |

Frequency Setting

| | |
|-------------------|--------------------|
| National standard | 920-925MHZ |
| | 840-845MHZ |
| FCC | 902-928MHZ |
| ETSI | 866-868MHZ |
| JP | 916.8-920.4MHZ |
| TW | 922.25-927.75MHZ |
| ID | 923.125-925.125MHZ |
| RUS | 866.6-867.4MHZ |