

# IRR-7M/IRR-6M User Manual

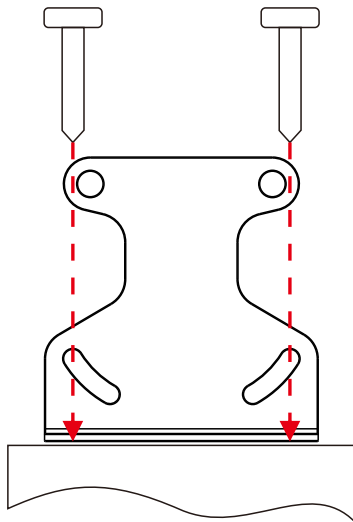


## Packing List:

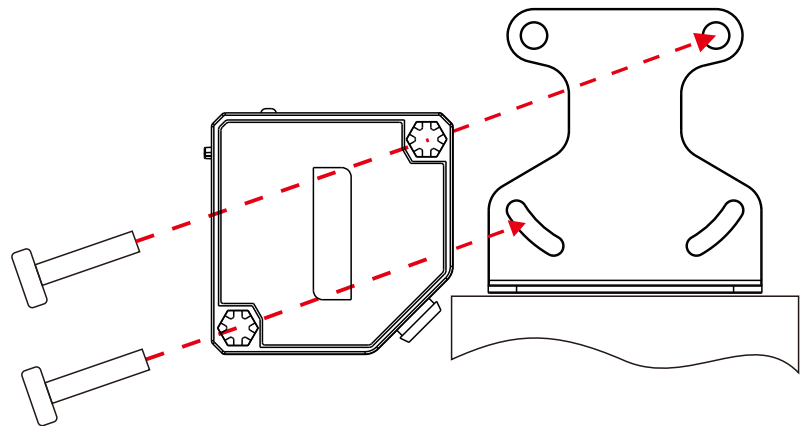
1, Product 1Pair	2, User Manual 1Pcs	3, Fixing Bracket 1Pcs
4, Cable Wire 2M	5, Screw Set 4*27.5 2Pcs	6, Reflecting Mirror 1Pcs



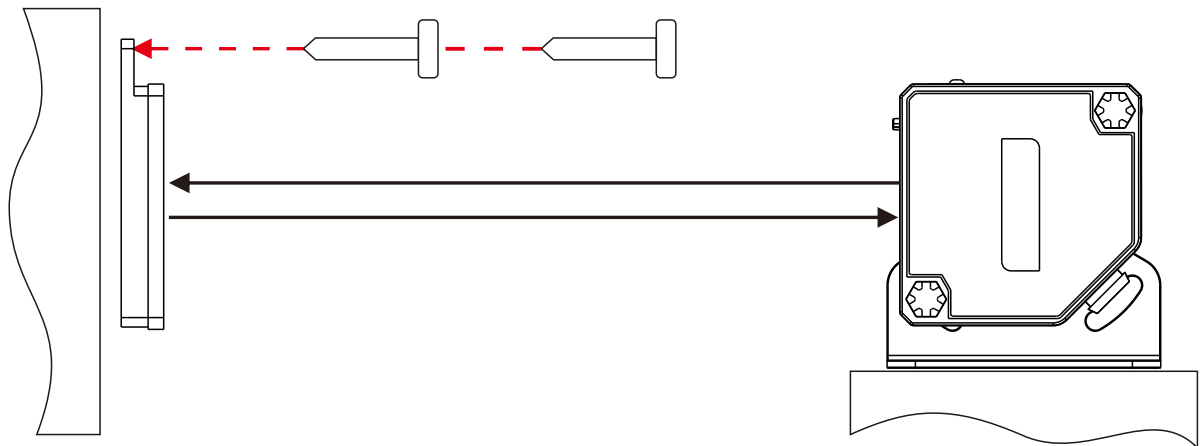
## Installation:(Unit:mm)



Schematic Diagram1



Schematic Diagram2



Schematic Diagram2

## Notes:

- 1.Fix the bracket on the surface;
- 2.Fix the reflective photocell on the bracket with 4\*27.5 screw;
- 3.Electrify the reflective photocell, move the reflective mirror, adjust the distance and fix the mirror on the surface;
- 4.Electrify and test. Normally red indicator is on. If there has object, yellow-green indicator will turns on.

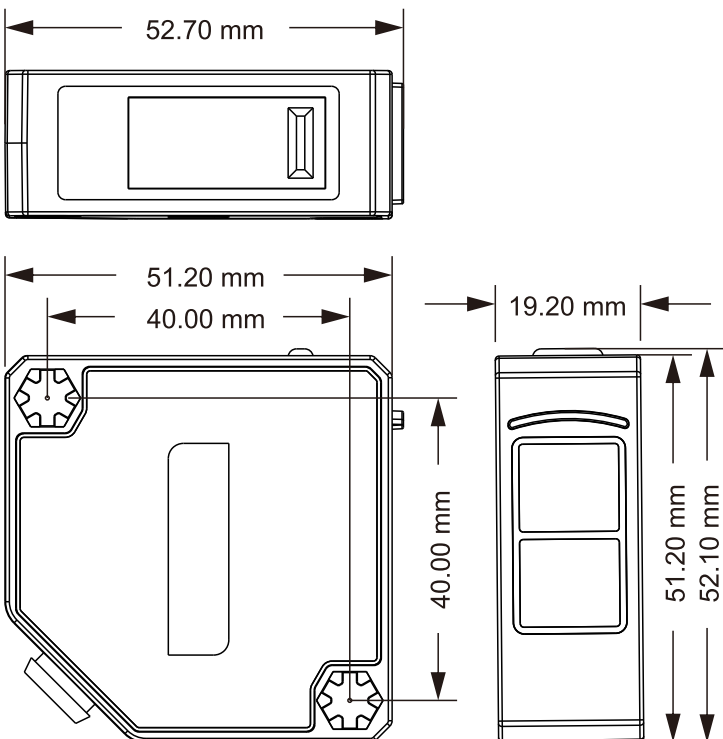


# Technology Parameter

Working Voltage	10-30VDC
Sensing Method	Reflect by mirror
Detect Range	≥6.5m/5.5m-6.5m
Output Way	NPN NO&NPN NC
Standard Detector	φ>75mmnon-transparent object
Response Time	≤3ms
Standby Current	≤12mA
Load Current	200mA
Repetition Accuracy	≤5%
LED Display	LED (Red), LED (Yellow-Green)
Protection	Surge, Short circuit, Reverse polarity protected
Working Temperature	-10-55°C
Temperature Drift	< ±10%
Protection Grade	Ip66
Material	ABS+PC
Size	52.7*19.2*52.1mm
Connection Mold	2m wire, 4.8mm outside diameter



## Size(mm)



## Wiring Diagram

Name	Colour	Function
RD	Red	Power +
GN	Green	NPN NO Output
BK	Black	Power -
YE	Yellow	NPN NC Output

